

# FLQ

Collar flange / Yaka flanş



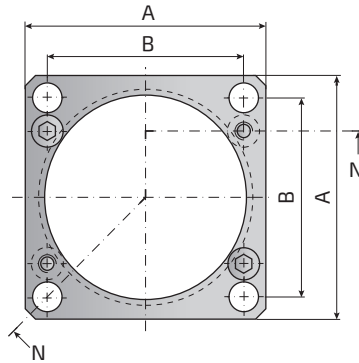
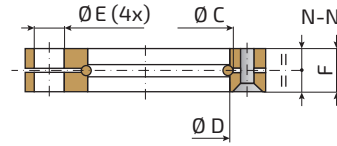
ISO 11901-2



VDI 3003

This series includes the models compliant with automotive standards /  
Bu sayfadaki parçalar aşağıdaki otomotiv standartlarını karşılamaktadır

<b>BMW</b>	B2 4009	<b>General Motors</b>	90.25.02
<b>FCA</b>	075.90.85	<b>VW</b>	39D 848
<b>Ford</b>	W-DX35-62M		



Model Model	Reference to Standards Referans standart	For models... Modeller için...	A mm	B mm	Ø C mm	Ø D mm	Ø E mm	F mm
FLQ 32	ISO 11901-2, VDI 3003	AGS350, IGS150, TGS700	45	35	34	32.5	6.6	9
38	ISO 11901-2, VDI 3003	AGS500, IGS250, TGS1000	52	40	40	38.5	6.6	9
45	ISO 11901-2, VDI 3003	AGS750, IGS500, LGS500	64	50	47	45.5	9	13
50	ISO 11901-2, VDI 3003	AGS1000, IGS750	70	56.5	54	50.5	9	13
63 A	ISO 11901-2, VDI 3003	AGS1500, TGS3000	80	64	67	63.5	11	16
63 B	-	AGS1500, TGS3000	90	73.5	67	63.5	11	16
75	ISO 11901-2, VDI 3003	AGS2400, IGS1500, VV2385	90	73.5	80	75.5	11	16
95	ISO 11901-2, VDI 3003	AGS4200, IGS3000	110	92	100	95.5	13.5	18
120	ISO 11901-2, VDI 3003	AGS6600, IGS5000, TGS12000	130	109.5	125	120.5	13.5	21
150	ISO 11901-2, VDI 3003	AGS9500, IGS7500	162	138	155	150.5	17.5	27
195	ISO 11901-2, VDI 3003	AGS20000, IGS10000	210	170	200	195.5	17.5	27

Fixing possibilities / Montaj olasılıkları

